

MEDI  clean


PHYSIPRO



As leaders in designing and manufacturing medical products for the last 30 years, Physipro is using all of its expertise to help the CSSS of Sud-Ouest — Verdun to design and develop a new kind of wheelchair for hospitals. This wheelchair answers the needs of both users and attendants, for whom ease of use corresponds to ease of maintenance, safety, practicality and durability.

The CSSS Sud-Ouest — Verdun

The Health and Social Services Centre of Sud-Ouest — Verdun is the biggest of all CSSS on the Island of Montreal.

As it is affiliated with the Université de Montréal, this establishment serves 143 080 people and has more than 4000 employees, 292 general and specialist physicians and no less than 200 volunteers.

Centre de santé et de services sociaux
du Sud-Ouest-Verdun

Over the years, the CSSS Sud-Ouest — Verdun has become a landmark in the heart of the teams who are a part of it and the users who go there because of its humanist approach and its management philosophy.

Lean Project

Thanks to its optimization projects, the CSSS Sud-Ouest — Verdun has become a prime example of Quebec establishments.

The CSSS Sud-Ouest — Verdun management took inspiration in the Lean management philosophy that makes better use of on-site resources thanks to a work organization centered on health care and customer service and on augmented personnel contribution importance.



10 things to know about the wheelchair



1. Easy to service thanks to smooth and corrosion resistant materials.
2. No removable parts.
3. The upholstery and backrest comply with the fire resistance standard NFPA 701.
4. Easy to clean, one-piece designed robust armrest.
5. Folding footrests
6. Innovative brakes integrated to the armrests.
7. IV pole and back bottle support integrated to the frame.
8. Catheter hook integrated to upholstery.
9. 18 colour choices for upholstery and backrest.
10. As small as 12" wide when folded.

Features



Handles

Designed with attendant needs in mind!

The ergonomic curved handles are easy to use regardless of the attendant's height.



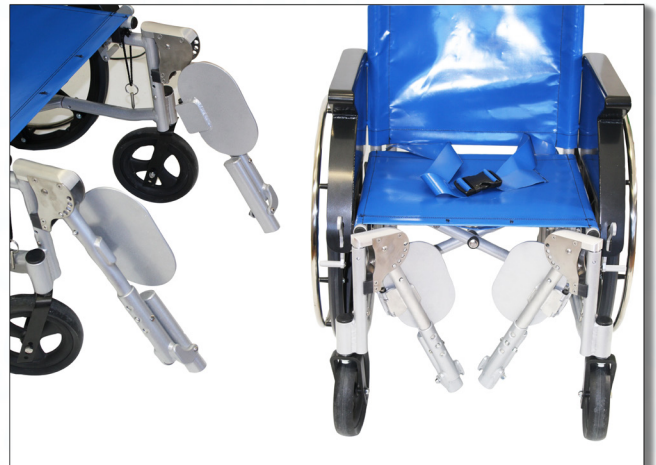
Armrests

Very easy to clean one-piece build.
Ergonomic shape to make transfers easier.
Robust.



Elevating legrests

60 to 0 degrees (horizontal) angle adjustment by 15 degree increments.



Elevating legrests

Reclinable and foldable inwards or outwards.

Calfrests

Foldable calfrest and legrest poles.

Safety



Wheel lock

Easily accessible wheel lock that are integrated to the armrests and can be used with low strength.



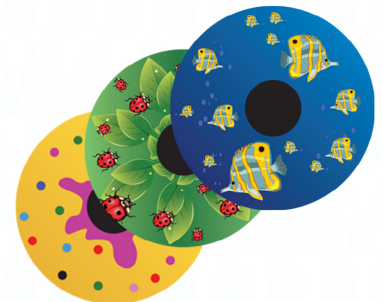
Anti-tip

Strong anti-tip in stainless steel that is part of the frame.



Safety Belt

Adjustable
Washable



Spoke Guards

It is possible to have your logo colours (from your hospital, rehabilitation centre, etc.) on your spoke guards.

Easy to maintain

Minimal maintenance thanks to its mechanical simplicity.

Really tough cloth covered in PVC. Smooth, washable, disinfectable and easy-to-maintain surface.

As it is corrosion resistant, the MediClean wheelchair can be washed in a wheelchair washing machine. With this machine, this wheelchair can be washed in a few minutes.

Storage

Easy to fold.

The curved handles can be used as hooks for storage.

Folded width is under 12".

The inwards foldable legrests make storage easier.

Accessories

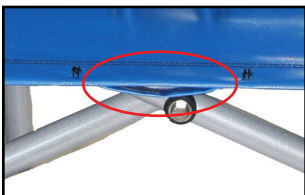


The **back bottle support** The back bottle support does not require any other handling than inserting the oxygen bottle inside. Its design makes a minimal width possible without the IV pole interfering.



IV pole

Retractable IV pole can contain 2 volumetric pumps. Numbering can be seen above the IV pole.



Catheter

Loop under the seat used to hang a catheter bag.

Wheels



Front and back wheels

Rear wheels 24"
Front wheels 8"

Colour choices

For upholstery and backrest

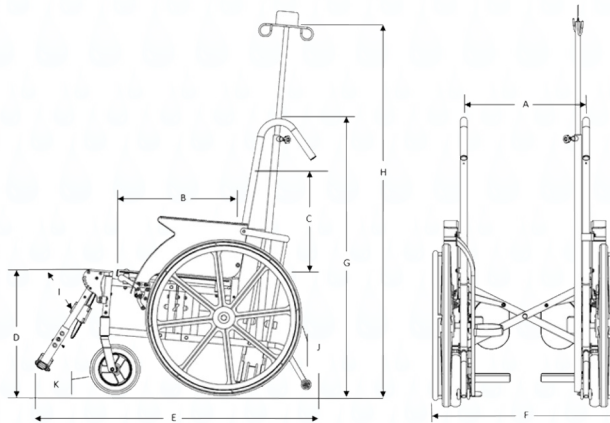


422
Red



413
Bright Blue

Technical Data



A	Seat width	18"
B	Seat depth	16"
C	Seat height	18"
D	Seat/ground height	18"
E	Overall length	41"
F	Overall width	26"
	Folded overall width	< 12"

G	Overall height	41"
H	IV pole height	38" to 72"
I	Legrests angle adjustment	0° to 63°
J	Rear wheels diameter	24"
K	Front wheels diameter	8"
	Maximum weight	250 lb
	Total weight	47 lb



PHYSIPRO

Seating and mobility solutions

T. 819 823-2252 | 1 800 668-2252

F. 819 565-3337 | info@physipro.com

370, 10e South Avenue, Sherbrooke, Quebec J1G 2R7

