

Date :	P.O.#:
Made for (client) Last name:	First name:
Ordered by :	
Establishment :	
Address :	
Phone :	Fax :


CONFIRM ORDER BY E-MAIL	Yes <input type="checkbox"/>	No <input type="checkbox"/>
SUBSCRIBE TO PHYSIPRO NEWSLETTER	Yes <input type="checkbox"/>	No <input type="checkbox"/>
YOUR EMAIL ADDRESS		

SINGLE CALF SUPPORT PANEL 4"



MI7120.....\$ 90
 MI7520-... With Gel.....\$ 193
Please provide the wheelchair width :

DOUBLE CALF SUPPORT PANEL 8"



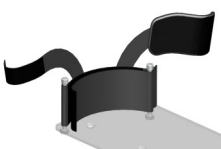
MI7125.....\$ 115
 MI7525-... With Gel.....\$ 256
Please provide the wheelchair width :

FOOT STRAP




MI7250.....\$ 28
 Maximum Opening 12"

FOOT RESTRAINT STRAP



MI7135.....\$ 62
Adjustable Using Velcro

ANKLE HUGGER



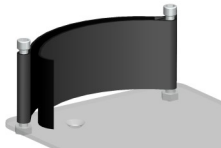
MI7140 #1: 6 ½" to 8 ½".....\$ 86
 MI7145 #2: 8 ½" to 10".....\$ 86
 MI7150 #3: 10" to 12 ½".....\$ 86

KNEE PROTECTOR



MI7215 Right.....\$ 143
 MI7220 Left.....\$ 143

HEEL STRAP



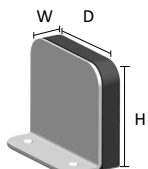
MI7130 2"\$ 55
 MI7131 4"\$ 66
 MI7133 4" with neoprene cushioning.....\$ 73
Allow depth adjustments

DOUBLE KNEE STABILIZER



MI7195.....\$ 116
 Wheelchair Width: _____
 Knee Width: _____

CORRECTIVE BRACKET



Standard width of ½", ABS ¼" and Plastazote ¼"
 MI7025 Cushion corrective bracket.....\$ 106
 MI7040 Cover.....\$ 50
Custom made to fit your specifications:
W: _____, D: _____, H: _____

RIGID FOOT SUPPORT






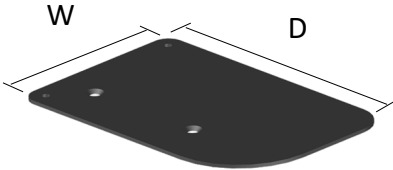
IW: Internal Width
ID: Internal Depth
H: Foot Support Height

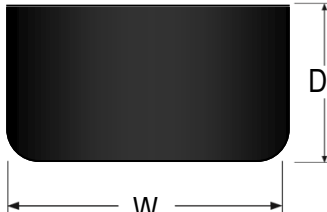
MI7230.....\$ 132
Small IW: 2½", ID: 4", H: 1½"


MI7235.....\$ 132
Medium IW: 4", ID: 5½", H: 1½"

MI7240.....\$ 132
Large IW: 6", ID: 8", H: 1½"

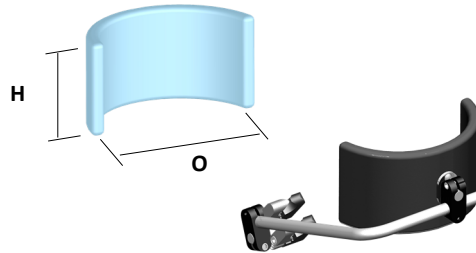
MI7245.....\$ 255
Customize (Please Specify your measurements): IW: _____ ID: _____ H: _____

PROTECTOR FOR SWING-AWAY FOOTREST	FOOTPLATE ABS ¼"
<div style="display: flex; justify-content: space-around; align-items: center;">    </div> <p style="display: flex; justify-content: space-around; font-weight: bold; margin-top: 5px;"> Full Length Eyelet Velcro </p> <p>Full Length Neoprene</p> <p><input type="checkbox"/> MI7300 - Left.....57 \$</p> <p><input type="checkbox"/> MI7300 - Right.....57 \$</p> <p>At knee height (Made of neoprene - eyelet)</p> <p><input type="checkbox"/> MI7301 - Left.....65 \$</p> <p><input type="checkbox"/> MI7304 - Right.....65 \$</p> <p>At knee height (Made of neoprene - velcro)</p> <p><input type="checkbox"/> MI7303 - Left.....65 \$</p> <p><input type="checkbox"/> MI7302 - Right.....65 \$</p> <p>Non-Standard</p> <p><input type="checkbox"/> MI7443* - Left <input type="checkbox"/> Right <input type="checkbox"/>94 \$ ea.</p> <p><small>*Please send us your drawing</small></p>	<div style="text-align: center; margin-bottom: 20px;">  </div> <p><input type="checkbox"/> Left</p> <p><input type="checkbox"/> Right</p> <p><input type="checkbox"/> MI7045 Cushioned Footplate.....\$ 165</p> <p><input type="checkbox"/> MI7050 Footplate with anti slip.....\$ 63</p> <p><input type="checkbox"/> MI7060 Dartex Cover <input type="checkbox"/> Leatherette <input type="checkbox"/>\$ 107</p> <p style="color: red; font-weight: bold;">Custom made to fit your specifications. Maximum permissible dimensions: Width 8" and depth 8". For further measures, please refer to the full length footplate section.</p> <p style="color: red; font-weight: bold;">W: _____, D: _____</p>

FULL LENGTH FOOTPLATE ABS ¼"	
<p><input type="checkbox"/> MI7290.....\$ 333</p> <p><input type="checkbox"/> Dartex cover <input type="checkbox"/> Leatherette</p> <p style="color: red; font-weight: bold;">Custom made to fit your specifications:</p> <p style="color: red; font-weight: bold;">W : _____, D : _____,</p>	<div style="text-align: center;">  </div>

FOOT BOX	
<div style="text-align: center; margin-bottom: 20px;">  </div>	<p><input type="checkbox"/> MI7066 Foot Box with base foam.....\$ 774</p> <p><input type="checkbox"/> MI7070 Foot Box ABS structure only.....\$ 526</p> <p><input type="checkbox"/> MI7085 Multi-Adjustable Mechanism\$ 165</p> <p><input type="checkbox"/> MI7115 Bracket (2 units).....\$ 30</p> <p style="color: red; font-weight: bold;">Please specify your measurements in the provided space</p> <p>Foam Choice</p> <p><input type="checkbox"/> VR10091 Sunmate soft 1".....\$65</p> <p><input type="checkbox"/> VR10093 Temper T-36 1".....\$180</p> <p><input type="checkbox"/> VR10073 Viscose 1"\$52</p> <p><input type="checkbox"/> VR10110 Sunmate soft ½".....\$36</p> <p><input type="checkbox"/> VR10111 Temper T-36 ½".....\$88</p> <p><input type="checkbox"/> VR10074 Viscose ½".....\$33</p>

Simple knee stabilizer



Choice	Product #	Description			
		Size	Opening	Height	Price
Knee stabilizer (anchoring system + cushion)					
<input type="checkbox"/>	MI7181-...	X small	3 po	3 ½ po	\$302
<input type="checkbox"/>	MI7182-...	Small	4 po	4 po	\$302
<input type="checkbox"/>	MI7183-...	Medium	5 po	4 ½ po	\$302
<input type="checkbox"/> Left		<input type="checkbox"/> Right			

Choice	Product #	Description			
		Size	Opening	Height	Price
Knee stabilizer cushion					
<input type="checkbox"/>	MI7155	X small	3 po	3 ½ po	\$110
<input type="checkbox"/>	MI7160	Small	4 po	4 po	\$110
<input type="checkbox"/>	MI7165	Medium	5 po	4 ½ po	\$110

Choice	Product #	Description
<input type="checkbox"/>	...-1	Anchorage for tube ¾"
<input type="checkbox"/>	...-2	Anchorage for tube ⅞"
<input type="checkbox"/>	...-3	Anchorage for tube 1"
<input type="checkbox"/>	...-4	Anchorage for tube 1 ⅛"

Notes