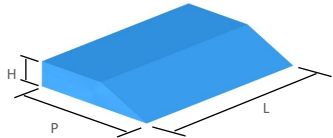
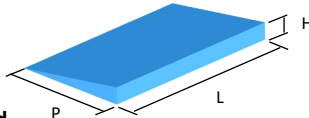
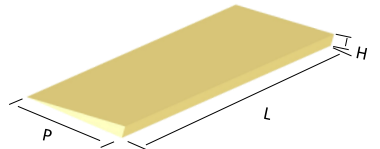
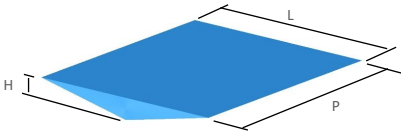
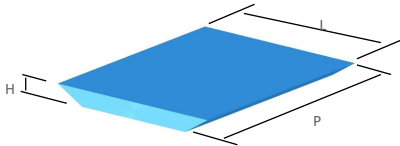
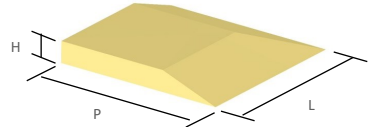


Date :	P.O.#:
Made for (client) Last name:	First name:
Ordered by :	
Establishment :	
Address :	
Phone :	Fax :

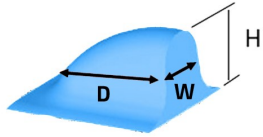
CONFIRM ORDER BY E-MAIL	Yes <input type="checkbox"/>	No <input type="checkbox"/>
SUBSCRIBE TO PHYSIPRO NEWSLETTER	Yes <input type="checkbox"/>	No <input type="checkbox"/>
YOUR EMAIL ADDRESS		

**POSTURAL COMPONENTS—SEAT**

ANTI-THRUST WEDGE	WEDGE	WEDGE TO CUT (BULK)
 <p><b>Standard</b>  <input type="checkbox"/> S2670-... All Sizes.....\$63  <u>Width:</u> 20"  <u>Depth:</u> 8"  <u>Height:</u> 1" <input type="checkbox"/> 1 ½" <input type="checkbox"/> 2" <input type="checkbox"/></p> <p><b>Customization</b>  <input type="checkbox"/> S2670-4 Customization.....\$35            Width: _____ Depth: _____            Height: _____</p> <p><b>Cover</b>  <input type="checkbox"/> S2960 Cover .....\$44</p>	 <p><b>Standard</b>  <input type="checkbox"/> S2655 Constructa foam.....\$63  <input type="checkbox"/> S2660 Urethane (Neocor).....\$28  <u>Width:</u> 20"  <u>Depth:</u> 8"  <u>Height:</u> 1" <input type="checkbox"/> 1 ½" <input type="checkbox"/> 2" <input type="checkbox"/></p> <p><b>Customization</b>  <input type="checkbox"/> S2657 Customization Constructa foam.....\$56  <input type="checkbox"/> S2661 Customization Urethane (Neocor).....\$40            Width: _____ Depth: _____            Height: _____</p> <p><b>Cover</b>  <input type="checkbox"/> S2960 Cover .....44 \$</p>	 <p><b>Standard</b>  <input type="checkbox"/> S2665 Urethane (Neocor).....\$39  <u>Width:</u> 44"  <u>Depth:</u> 8"  <u>Height:</u> 1" <input type="checkbox"/> 1 ½" <input type="checkbox"/> 2" <input type="checkbox"/></p> <p><b>Customization</b>  <input type="checkbox"/> S2665-0 Customization.....\$96            Width: _____ Depth: _____            Height: _____</p>
ANTI HAMMOCK WEDGE—POINTED	ANTI HAMMOCK WEDGE—FLAT	PELVIC OBLIQUITY WEDGE
 <p><b>Standard</b>  <input type="checkbox"/> S2685 Anti Hammock Wedge Pointed.....\$125  <u>Width:</u>            12" <input type="checkbox"/> 13" <input type="checkbox"/> 14" <input type="checkbox"/> 15" <input type="checkbox"/> 16" <input type="checkbox"/>            17" <input type="checkbox"/> 18" <input type="checkbox"/> 19" <input type="checkbox"/> 20" <input type="checkbox"/>  <u>Depth:</u>            12" <input type="checkbox"/> 13" <input type="checkbox"/> 14" <input type="checkbox"/> 15" <input type="checkbox"/> 16" <input type="checkbox"/>            17" <input type="checkbox"/> 18" <input type="checkbox"/> 19" <input type="checkbox"/> 20" <input type="checkbox"/>  <u>Height:</u>            1" <input type="checkbox"/> 1 ½" <input type="checkbox"/> 2" <input type="checkbox"/></p> <p><b>Cover</b>  <input type="checkbox"/> S2690 Cover .....\$50</p>	 <p><b>Standard</b>  <input type="checkbox"/> S2695 Constructa foam.....\$125  <input type="checkbox"/> S2700 ABS reinforcement ¼".....\$50  <u>Width:</u>            12" <input type="checkbox"/> 13" <input type="checkbox"/> 14" <input type="checkbox"/> 15" <input type="checkbox"/> 16" <input type="checkbox"/>            17" <input type="checkbox"/> 18" <input type="checkbox"/> 19" <input type="checkbox"/> 20" <input type="checkbox"/>  <u>Depth:</u>            12" <input type="checkbox"/> 13" <input type="checkbox"/> 14" <input type="checkbox"/> 15" <input type="checkbox"/> 16" <input type="checkbox"/>            17" <input type="checkbox"/> 18" <input type="checkbox"/> 19" <input type="checkbox"/> 20" <input type="checkbox"/>  <u>Height:</u>            1" <input type="checkbox"/> 1 ½" <input type="checkbox"/> 2" <input type="checkbox"/></p> <p><b>Cover</b>  <input type="checkbox"/> S2705 Cover.....\$50</p>	 <p><b>Standard</b>  <input type="checkbox"/> Right <input type="checkbox"/> Left  <input type="checkbox"/> S2675 Urethane (Neocor).....\$57  <input type="checkbox"/> S2680 Constructa foam.....\$63  <u>Width:</u> 8"  <u>Depth:</u> 8"  <u>Height:</u> 1" <input type="checkbox"/> 1 ½" <input type="checkbox"/> 2" <input type="checkbox"/></p> <p><b>Customization</b>  <input type="checkbox"/> S2680-0 Customization Urethane (Neocor).....\$80  <input type="checkbox"/> S2679 Customization Constructa foam.....\$108            Width: _____ Depth: _____            Height: _____</p> <p><b>Cover</b>  <input type="checkbox"/> S2681 Cover .....\$44</p>

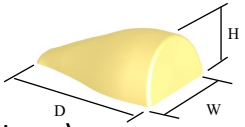
Note :

**MEDIAL THIGH ABDUCTOR**



S2710 size #1: W: 2.5" D: 4" H: 3" .....\$44  
 S2715 size #2: W: 3" D: 6" H: 4" .....\$44  
 S2720 size #3: W: 3½" D: 8" H: 5" .....\$44

**MEDIAL THIGH ABDUCTOR -  
URÉTHANE (NÉOCOR) /CONSTRUCTA FOAM**

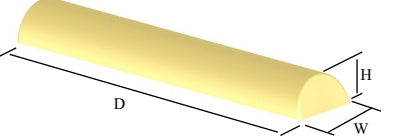


**Urethane (Neocor)**  
 S2725 #1: W: 3" D: 7" H: 2" .....\$39  
 S2730 #2: W: 4" D: 7" H: 2½" .....\$39  
 S2735 #3: W: 5" D: 7" H: 3" .....\$39

**Constructa foam**  
 S2726 #1: L: 3" P: 7" H: 2" .....50 \$  
 S2733 #2: L: 4" P: 7" H: 2½" .....50 \$  
 S2736 #3: L: 5" P: 7" H: 3" .....50 \$

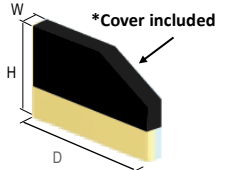
**Cover**  
 S2727 #1 cover .....\$33  
 S2732 #2 cover .....\$33  
 S2737 #3 cover .....\$33

**MEDIAL THIGH ABDUCTOR TO CUT (BULK)**



S2740 W: 3" P: 44" H: 2" .....\$39  
 S2745 W: 4" P: 44" H: 2½" .....\$50  
 S2750 W: 5" P: 44" H: 3" .....\$61

**LATERAL PELVIC CUSHION**



Right  
 Left

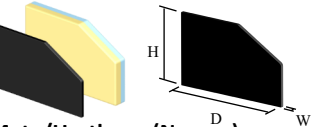
**Plastazote/Sunmate/Urethane (Neocor)**  
 S2860 #1 W: 1" D: 9½" H: 5½" .....\$99  
 S2865 #2 W: 1½" D: 9½" H: 5½" .....\$99  
 S2870 #3 W: 2" D: 9½" H: 5½" .....\$99

**Urethane—firm**  
 S2861 #1 W: 1" D: 9½" H: 5½" .....\$93  
 S2866 #2 W: 1½" D: 9½" H: 5½" .....\$93  
 S2871 #3 W: 2" D: 9½" H: 5½" .....\$93

**Cover**  
 S2875 Nylon Cover .....N/C  
 S2575 Triptex U Cover .....N/C

**Replacement Cover**  
 S2875 Replacement Cover .....\$42  
 S2575 Replacement Cover .....\$53

**RIGID—LATERAL PELVIC CUSHION**



Right  
 Left

**Plastazote/SunMate/Urethane (Neocor)**

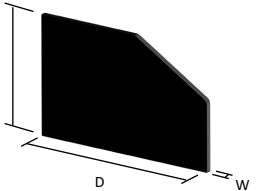
**Plastic ¼" thickness**  
 S2905 #1 W: 1" D: 9½" H: 5½" .....\$163  
 S2910 #2 W: 1½" D: 9½" H: 5½" .....\$163  
 S2915 #3 W: 2" D: 9½" H: 5½" .....\$163

**Aluminum ¼" thickness**  
 S2920 #1 W: 1" D: 9½" H: 5½" .....\$198  
 S2925 #2 W: 1½" D: 9½" H: 5½" .....\$198  
 S2930 #3 W: 2" D: 9½" H: 5½" .....\$198  
 S2935 4 Adjustable Bracket .....\$55  
 S2940 Adjustable Bar 1" .....\$61  
 S2945 Adjustable Bar 1½" .....\$66

**Cover**  
 S2875 Nylon Cover .....N/C  
 S2575 Triptex U Cover .....N/C

**Replacement Cover**  
 S2875 Replacement Cover .....\$42  
 S2575 Replacement Cover .....\$53

**PELVIC PLATE**



Right  
 Left

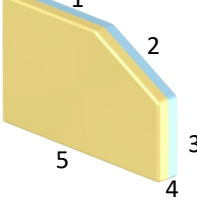
**Please indicate the desired size:**  
 W: \_\_\_\_\_ D: \_\_\_\_\_ H: \_\_\_\_\_

**ROUNDED FRONT**

**Plastic ¼" thickness**  
 S2937 .....\$35

S2883 Customize—Lateral Pelvic Cushion...\$129     S2886 Replacement cover for lateral pelvic cushion...\$69

**Please indicate the desired size:**



1: \_\_\_\_\_  
 2: \_\_\_\_\_  
 3: \_\_\_\_\_  
 4: \_\_\_\_\_  
 5: \_\_\_\_\_  
 6: \_\_\_\_\_

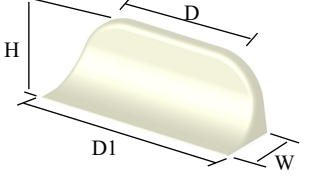
Right     Left

**CHOICE OF FOAMS:**

Urethane firm ½"     Plastazote ¼"  
 Urethane firm 1"     Plastazote ½"  
 SunMate soft ½"  
 SunMate soft 1"

**FASTENING:**  
 Velcro Soft Side     Velcro Hook

**LATERAL PELVIC SUPPORT**

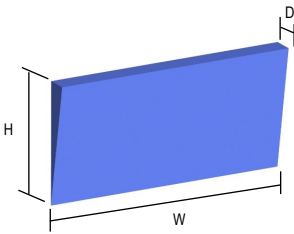
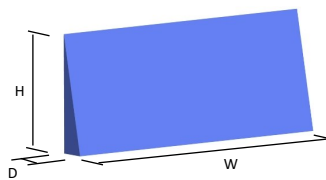
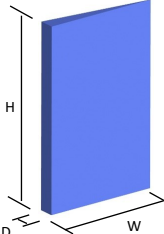
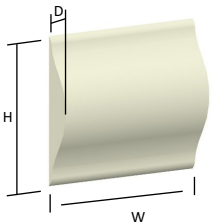


Right  
 Left

S2890-V #1 W: 4" D<sup>1</sup>: 14" D<sup>2</sup>: 12" H: 3½" .....\$132  
 S2895-V #2 W: 4" D<sup>1</sup>: 14" D<sup>2</sup>: 12" H: 4½" .....\$132  
 S2900-V #3 W: 4" D<sup>1</sup>: 14" D<sup>2</sup>: 12" H: 5½" .....\$132

**Note:**

**WEDGE—BACKREST**

THORACIC WEDGE	LUMBAR WEDGE	THORACOLUMBAR WEDGE	SACROLUMBAR CORRECTOR
 <p> <input type="checkbox"/> D3380 Constructa Foam.....\$30  <input type="checkbox"/> D3385 Urethane (Neocor).....\$24  <b>Size Choice</b>  <u>Width:</u>  <input type="checkbox"/> 16"   <input type="checkbox"/> 18"   <input type="checkbox"/> 20"  <u>Depth:</u>  <input type="checkbox"/> ¾"   <input type="checkbox"/> 1"   <input type="checkbox"/> 1½"   <input type="checkbox"/> 2"  <u>Height:</u>  <input type="checkbox"/> 5"   <input type="checkbox"/> 6"   <input type="checkbox"/> 7"   <input type="checkbox"/> 8"   <input type="checkbox"/> 9" </p>	 <p> <input type="checkbox"/> D3400 Constructa Foam.....\$30  <input type="checkbox"/> D3405 Urethane (Neocor).....\$24  <b>Size Choice</b>  <u>Width:</u>  <input type="checkbox"/> 16"   <input type="checkbox"/> 18"   <input type="checkbox"/> 20"  <u>Depth:</u>  <input type="checkbox"/> ¾"   <input type="checkbox"/> 1"   <input type="checkbox"/> 1½"   <input type="checkbox"/> 2"  <u>Height:</u>  <input type="checkbox"/> 5"   <input type="checkbox"/> 6"   <input type="checkbox"/> 7"   <input type="checkbox"/> 8"   <input type="checkbox"/> 9" </p>	 <p> <input type="checkbox"/> D3390 Constructa Foam.....\$30  <input type="checkbox"/> D3395 Urethane (Neocor)..\$24  <b>Size Choice</b>  <u>Width:</u>  <input type="checkbox"/> 5"   <input type="checkbox"/> 6"   <input type="checkbox"/> 7"   <input type="checkbox"/> 8"   <input type="checkbox"/> 9"  <u>Depth:</u>  <input type="checkbox"/> ¾"   <input type="checkbox"/> 1"   <input type="checkbox"/> 1 ½"   <input type="checkbox"/> 2"  <u>Height:</u>  <input type="checkbox"/> 16"   <input type="checkbox"/> 18"   <input type="checkbox"/> 20" </p>	 <p> Urethane.....\$39  <b>Size Choices</b>  <input type="checkbox"/> D3410: W: 9½" D: 1" H:10"  <input type="checkbox"/> D3415: W: 9½" D: 1½" H:11"  <input type="checkbox"/> D3420: W: 9½" D: 2" H:12"    Constructa Foam.....\$50  <b>Size Choices</b>  <input type="checkbox"/> D3425: W: 9½" D: 1" H:10"  <input type="checkbox"/> D3430: W: 9½" D: 1½" H:11"  <input type="checkbox"/> D3435: W: 9½" D: 2" H:12"    <input type="checkbox"/> D4020 Cover #1.....\$33  <input type="checkbox"/> D4030 Cover #2.....\$33  <input type="checkbox"/> D4040 Cover #3.....\$33 </p>

Notes: