



Parts Catalog

MEDI  clean

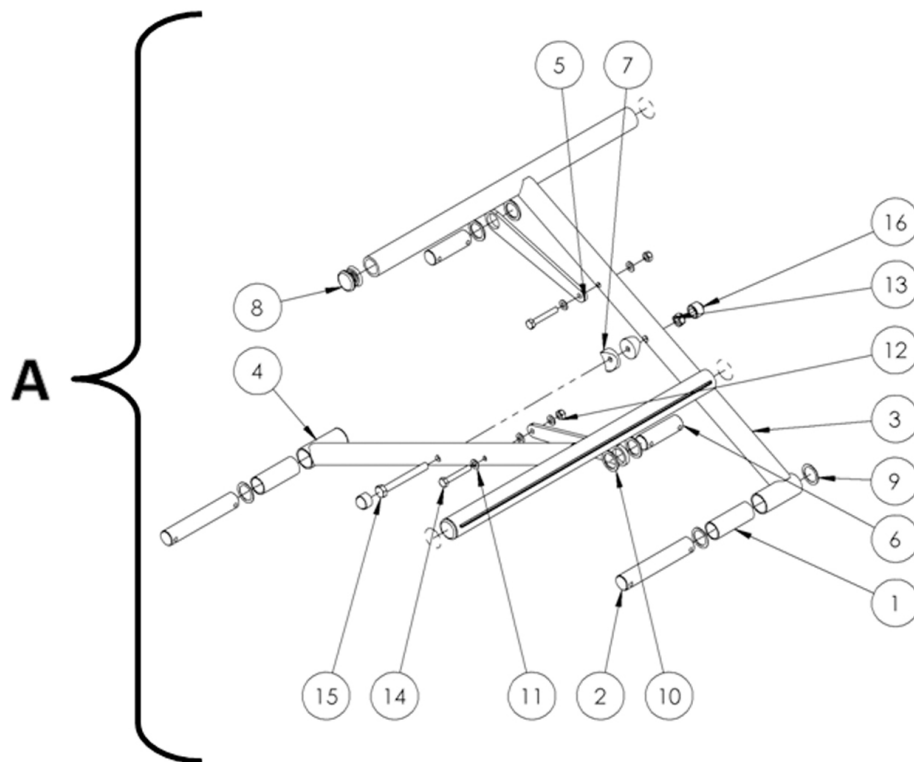
Physipro is a leading provider of high quality seating and mobility products.

Table of contents

SIMPLE CROSSBRACE	3
DOUBLE CROSSBRACE (BAR)	4
FRONT FRAME	5
REAR FRAME	6
ARMREST	7
BRAKE	8
LEGREST SUPPORT	10
FOOTPLATE	12
BOTTLE SUPPORT	14
SOLUTE ROD	15
ANTI-TIP	16
BELT	17
FRONT WHEEL	18
REAR WHEEL	19
CLOTH & RETAINING ROD	20

Mediclean SIMPLE CROSSBRACE

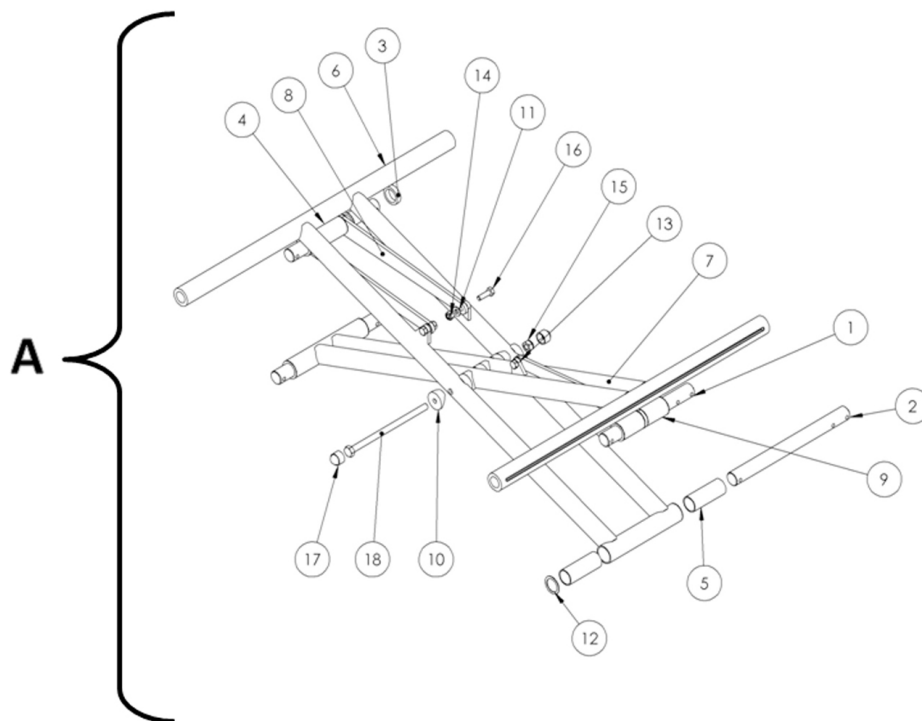
NO.	DRWG. NO.	DESCRIPTION	MSRP
A	01-00014	X BRACE	\$286
NO.	DRWG. NO.	DESCRIPTION	MSRP
1	PH-00964	STD. PIVOT SPACER	\$2
2	PH-03213	JUNCTION ROD (LONG)	\$16
3	PH-03194	CROSSBRACE STD/ 18" / Right	\$88
4	PH-03195	CROSSBRACE STD/18" / Left	\$88
5	PH-03211	PIVOT PLATE (CRX SIMPLE)	\$20
6	PH-03212	JUNCTION ROD (SHORT)	\$14
7	ST-02533	SADDLE Ø1"	\$2
8	ST-02625	Ø1 CAP	\$2
9	ST-02672	FLAT WASHER FIBER 3/4IDX1ODX1/32THK. W-56F	\$2
10	ST-02920	FLAT WASHER FIBER 3/4IDX1ODX1/16THK.	\$2
11	ST-03018	NYLON FLAT WASHER 1/4"	\$2
12	ST-50278	NYLON NUT M6 X 1.0 SS	\$2
13	ST-50279	ECA SS M8X1.25	\$2
14	ST-50922	HEX M6 X 40MM SST	\$2
15	ST-50958	HHCS SS M8X1.25X70	\$2
16	ST-51916	CAP M8	\$2



Mediclean

DOUBLE CROSSBRACE (BAR)

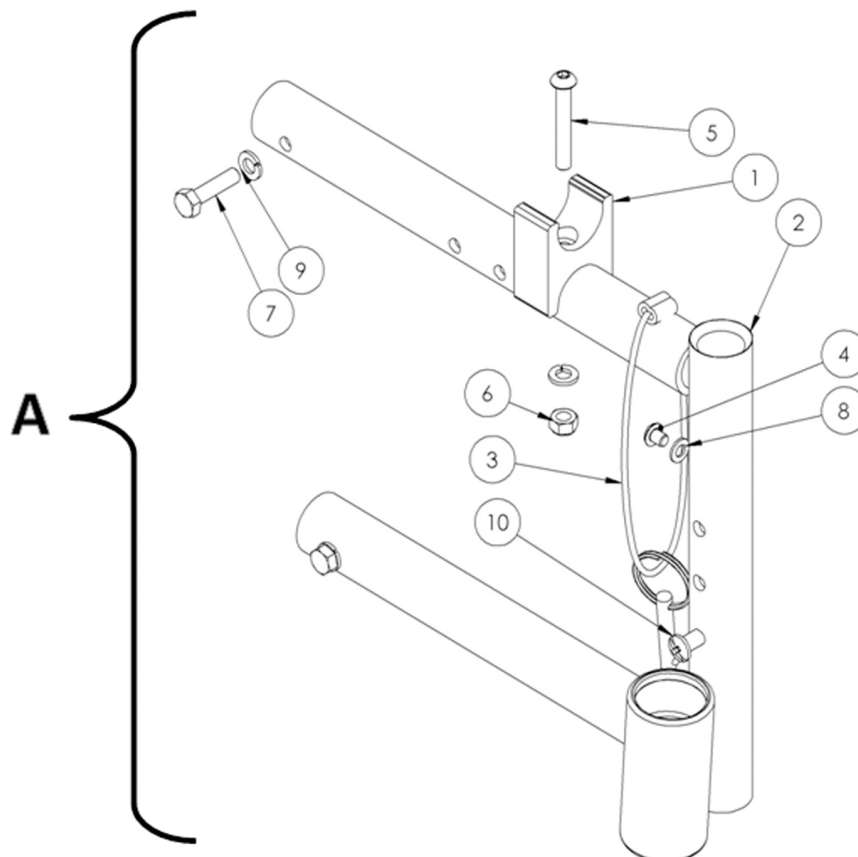
NO.	DRWG. NO.	DESCRIPTION	MSRP
A	01-00016	BARIATRIC CROSS-BRACE	\$576
NO.	DRWG. NO.	DESCRIPTION	MSRP
1	PH-00956	JONCTION ROD 5 & 4	\$30
2	PH-00958	JONCTION ROD 7 & 6	\$26
3	PH-00959	SPACER 1/4	\$4
4	PH-00963	SPACER 2-3/16 CR. DBL.S.	\$6
5	PH-00964	BUSHING PIVOT STD.	\$2
6	PH-03424	CROSS-BRACE DBL 24" RIGHT	\$208
7	PH-03425	CROSS-BRACE DBL 24" GA.	\$202
8	PH-03428	CROSS-BRACE FIX PLATE	\$12
9	PH-03431	SPACER CROISILLON DBL.	\$10
10	ST-02533	SADDLE Ø1"	\$2
11	ST-02575	TEFLON FLAT WASHER Ø.257IDX1/2ODX.062	\$2
12	ST-02672	FIBRE WASHER FLAT 3/4IDX1"ODX1/32THK.	\$2
13	ST-03020	PLASTIC WASHER 1/32"	\$2
14	ST-50278	NYLON LOCK NUT M6 X 1.0 SS	\$2
15	ST-50279	ECA SS M8X1.25	\$2
16	ST-50919	HEX M6 X 20MM SST	\$2
17	ST-51916	CAP M8	\$2
18	ST-52793	HHCS_SS_M8X1.25X140	\$4



Mediclean FRONT FRAME

NO.	DRWG. NO.	DESCRIPTION	MSRP
A	02-00026	FRONT FRAME <LEFT>	\$176
A	02-00027	FRONT FRAME <RIGHT>	\$176

NO.	DRWG. NO.	DESCRIPTION	MSRP
1	PH-00969	CROSSBRACE SPACER	\$40
2	PH-03197	FRONT FRAME STD S. (RIGHT)	\$120
2	PH-03196	FRONT FRAME STD S. (LEFT)	\$120
2	PH-03570	FRONT FRAME STD BARIATRIC (RIGHT)	\$168
2	PH-03565	FRONT FRAME STD BARIATRIC (LEFT)	\$168
3	PH-03676	CORDON_QUICK RELEASE PIN	\$32
4	ST-50055	BHCS SS M5X0.8X6	\$2
5	ST-50121	BHCS M6 X 1.0 X 40 SS	\$2
6	ST-50278	NYLON NUT M6 X 1.0 SS	\$2
7	ST-50920	HHCS SS M6X1.0 X 25	\$2
8	ST-51065	FLAT WASHER M5 SS	\$2
9	ST-51066	RPE SS Ø6MM	\$2
10	ST-52797	BINDING POST (STAINLESS) 1/4" DIA. X 1"	\$10

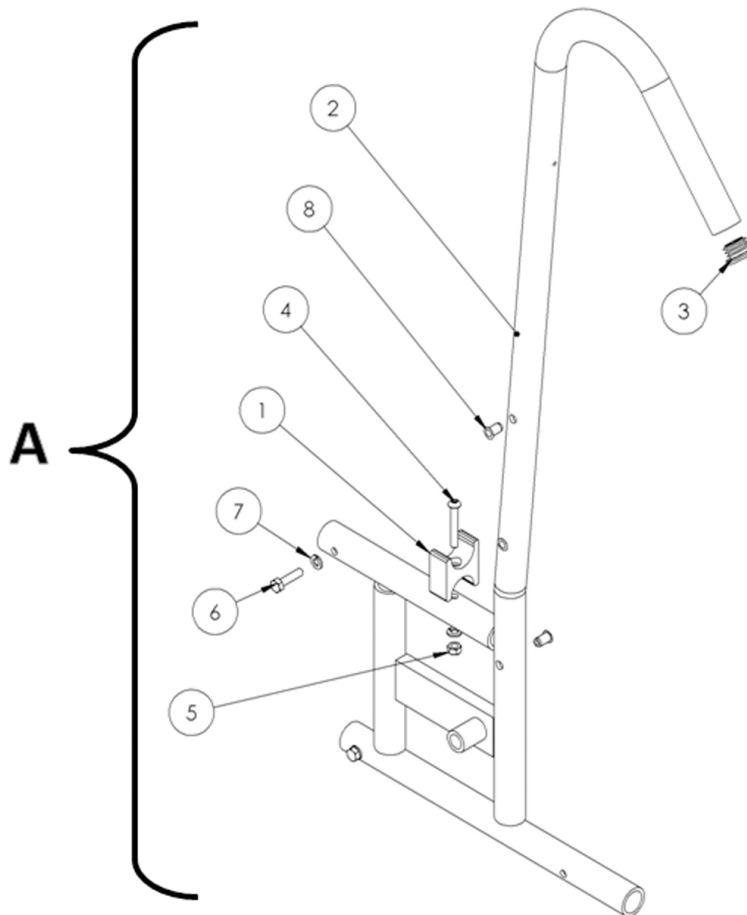


Mediclean

REAR FRAME

NO.	DRWG. NO.	DESCRIPTION	MSRP
A	02-00028	REAR FRAME <LEFT>	\$235
A	02-00029	REAR FRAME <RIGHT>	\$235
A	02-00038	BARIATRIC REAR FRAME <LEFT>	\$245
A	02-00039	BARIATRIC REAR FRAME <RIGHT>	\$245

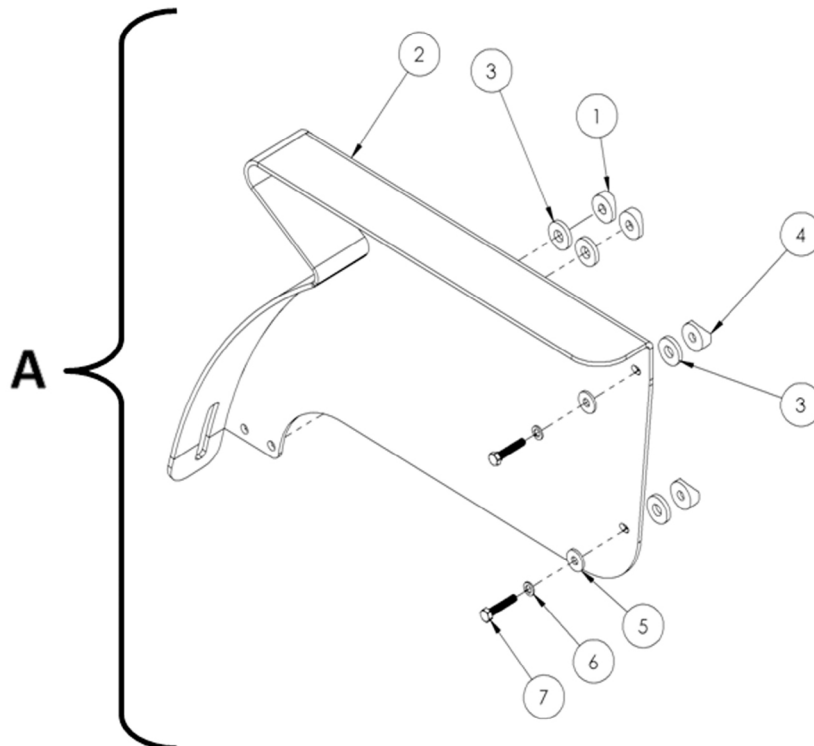
NO.	DRWG. NO.	DESCRIPTION	MSRP
1	PH-00969	CROSSBRACE SPACER	\$20
2	PH-03183	WELDING REAR FRAME (LEFT)	\$196
2	PH-03184	WELDING REAR FRAME (RIGHT)	\$196
2	PH-03561	WELDING REAR FRAME BARIATRIC + 1"	\$212
3	ST-02625	Ø1 CAP	\$2
4	ST-50121	BHCS M6 X 1.0 X 40 SS	\$2
5	ST-50278	NYLON NUT M6 X 1.0 SS	\$2
6	ST-50920	HHCS SS M6X1.0 X 25	\$2
7	ST-51066	RPE SS Ø6MM	\$2
8	ST-52803	FILETED INSERT 10-24 (STAINLESS)	\$2



Mediclean ARMREST

NO.	DRWG. NO.	DESCRIPTION	MSRP
A	08-00061	ARMREST PLUS 3 <LEFT>	\$178
A	08-00062	ARMREST PLUS 3 <RIGHT>	\$178
A	08-00059	ARMREST BARIATRIC <LEFT>	\$156
A	08-00060	ARMREST BARIATRIC <RIGHT>	\$156
A	08-00055	ARMREST STD. <LEFT>	\$148
A	08-00056	ARMREST STD. <RIGHT>	\$148

NO.	DRWG. NO.	DESCRIPTION	MSRP
1	PH-00614	SADDLE Ø1"	\$4
2	PH-03201	ARMREST STANDARD WELDING ASS. (LEFT)	\$130
2	PH-03202	ARMREST STANDARD WELDING ASS. (RIGHT)	\$130
2	PH-03341	+ 3" LONG ARMREST WELDING ASS. (LEFT)	\$162
2	PH-03063	+ 3" LONG ARMREST WELDING ASS. (RIGHT)	\$162
2	PH-03571	DBL. FOLD (BARIATRIC) ARMREST WELDING ASS. (LEFT)	\$140
2	PH-03576	DBL. FOLD (BARIATRIC) ARMREST WELDING ASS. (RIGHT)	\$140
3	ST-02494	PLASTIC WASHER	\$2
4	ST-02532	SELLE Ø3/4	\$2
5	ST-51065	RPBR SS Ø5MM	\$2
6	ST-51828	RPE SS Ø5MM (LOCK WASHER)	\$2
7	ST-52811	HHCS SS 10-24 X 1" FULL THREAD #933	\$2

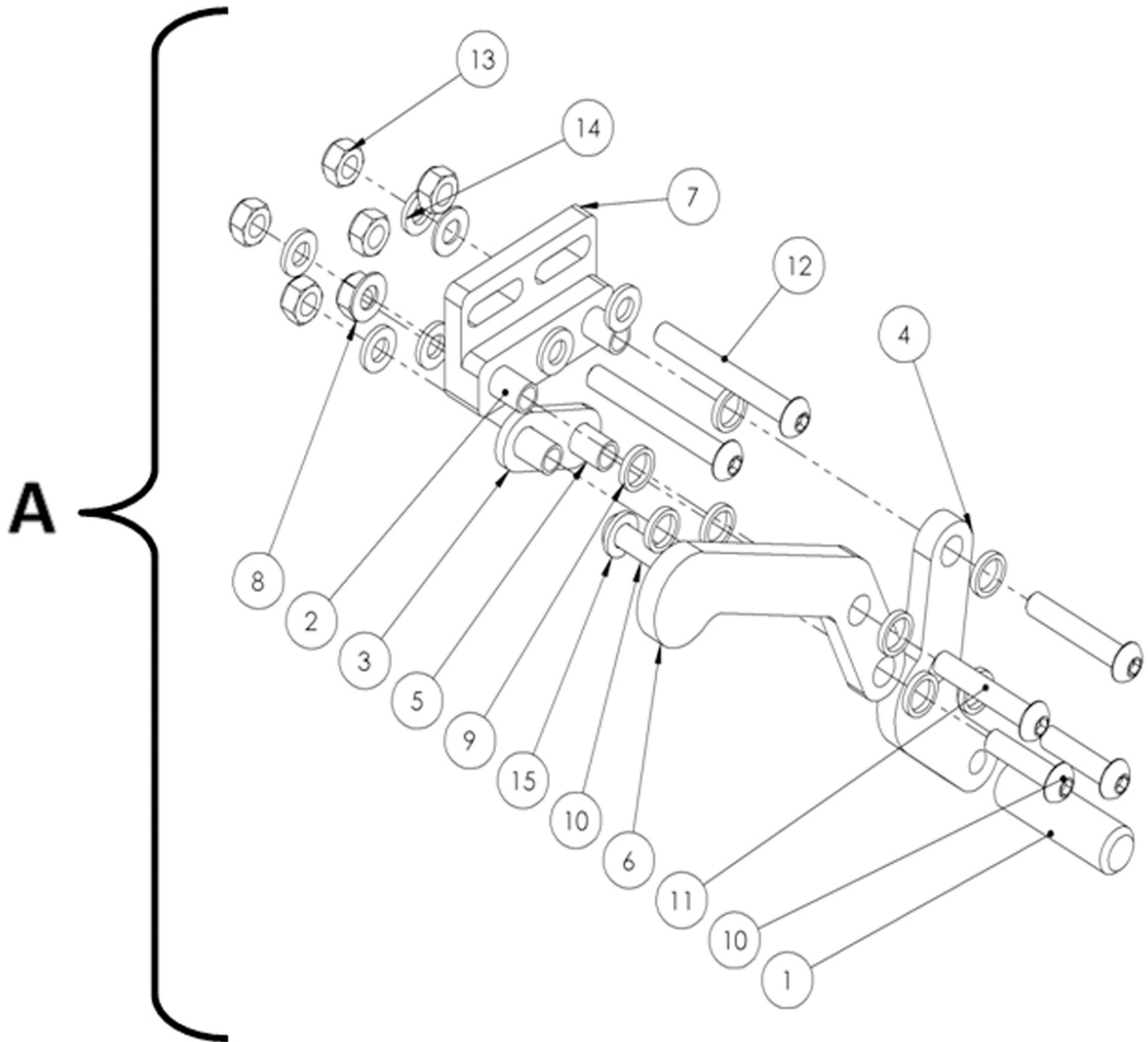


Mediclean BRAKE

NO.	DRWG. NO.	DESCRIPTION	MSRP
A	05-00011	BRAKE <LEFT>	\$130
A	05-00012	BRAKE <RIGHT>	\$130
A	05-00017	BARIATRIC BRAKE <LEFT>	\$134
A	05-00018	BARIATRIC BRAKE <RIGHT>	\$134

NO.	DRWG. NO.	DESCRIPTION	MSRP
1	PH-02281E	KNURLED SHAFT	\$10
2	PH-02351	SPACER	\$20
3	PH-03249-LZ	STAINLESS PLATE (LINK)	\$6
4	PH-03250	PLATE	\$14
5	PH-03252	SHORT SPACER	\$6
6	PH-03253	(SHORT) ROUNDED END, BRAKE HANDLE	\$24
6	PH-03070	SHORT LEVER WITH COVER, BRAKE HANDLE	\$12
6	PH-03580	(LONG +1") ROUNDED END, BRAKE HANDLE	\$28
6	PH-03071	LONG LEVER +1" WITH COVER, BRAKE HANDLE	\$22
7	PH-03254	BRAKE SUPPORT BLOC	\$20
8	ST-03020	PLASTIC WASHER	\$2
9	ST-03018	RONDELLE PLAT NYLON NOIR Ø.349IDX.452ODX.075	\$2
10	ST-50118	BHCS M6 X 1.0 X 25 SS	\$2
11	ST-50120	BHCS M6 X 1.0 X 35 SS	\$2
12	ST-50123	BHCS M6 X 1.0 X 50 SS	\$2
13	ST-50278	NYLON NUT M6 X 1.0 SS	\$2
14	ST-51066	FLAT WASHER M6 SS	\$2
15	ST-51829	RPE SS Ø6MM	\$2

Mediclean
BRAKE



Mediclean

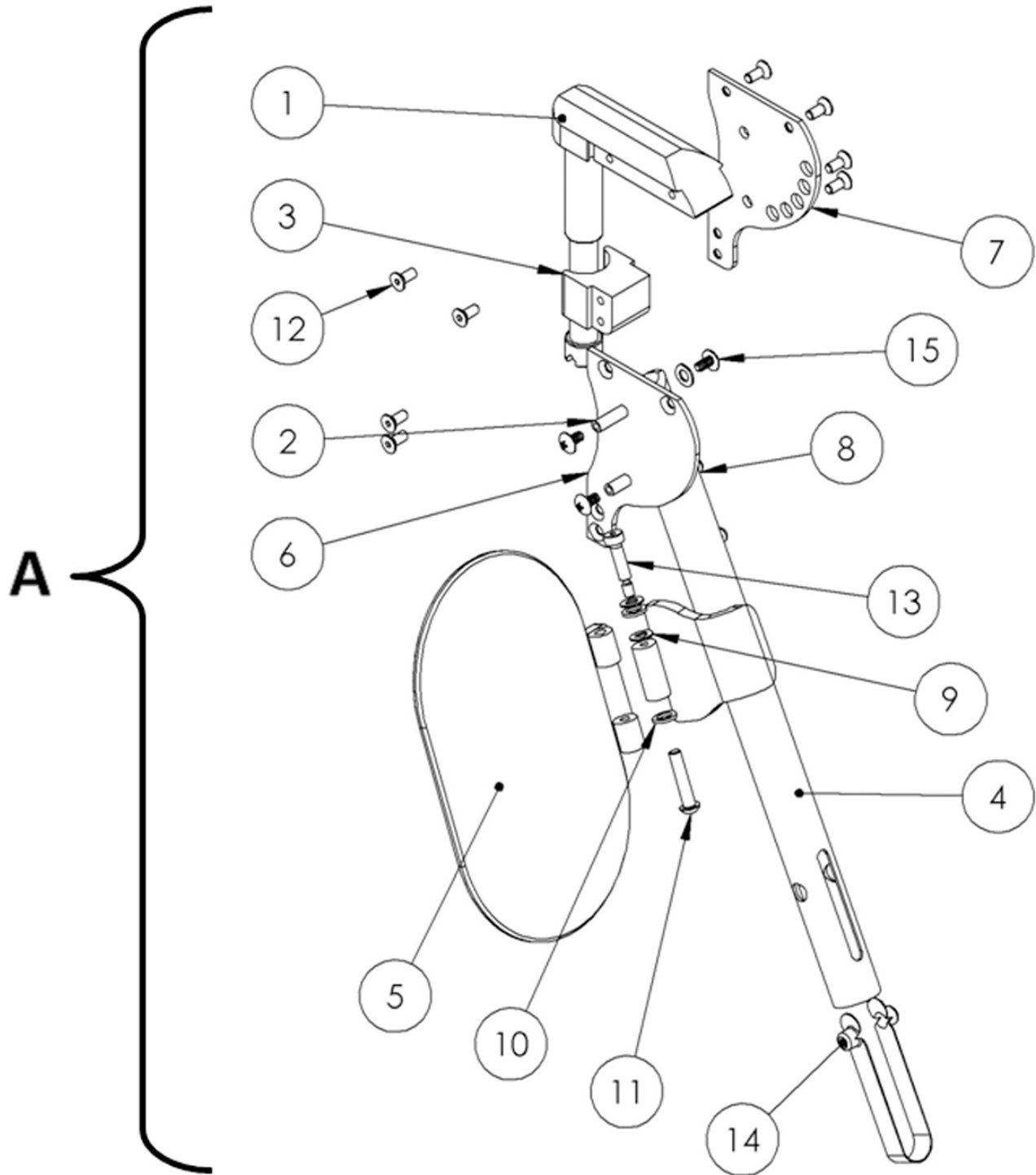
LEGREST SUPPORT

NO.	DRWG. NO.	DESCRIPTION	MSRP
A	10-00019	FOOTREST SUPPORT <LEFT>	\$472
A	10-00020	FOOTREST SUPPORT <RIGHT>	\$472
A	10-00022	BARIATRIC FOOTREST SUPPORT <LEFT>	\$584
A	10-00023	BARIATRIC FOOTREST SUPPORT <RIGHT>	\$584

NO.	DRWG. NO.	DESCRIPTION	MSRP
1	PH-03210	ELEVATOR LEGREST SUPPORT	\$124
1	PH-03550	(BARIATRIC) ELEVATOR LEGREST SUPPORT	\$128
2	PH-03214	SLEEVE	\$24
3	PH-03217	BLOCK OF SUPPORT	\$54
4	PH-03218	STD. TUBE & ANC. CALF SUPP. WELDING ASS (LEFT)	\$84
4	PH-03219	STD. TUBE & ANC. CALF SUPP. WELDING ASS (RIGHT)	\$84
4	PH-03602GA	BARIATRIC TUBE & ANC. CALF SUPP. WELDING ASS (LEFT)	\$104
4	PH-03602DR	BARIATRIC TUBE & ANC. CALF SUPP. WELDING ASS (RIGHT)	\$104
5	PH-03234	(LEFT) CALF SUPP. PLATE	\$82
5	PH-03240	(RIGHT) CALF SUPP. PLATE	\$82
5	PH-03556	(LEFT) BARIATRIC CALF SUPP. PLATE	\$84
5	PH-03560	(RIGHT) BARIATRIC CALF SUPP. PLATE	\$84
6	PH-03243	(SS) FOOTREST INNER PLATE (LEFT)	\$26
6	PH-03298	(SS) FOOTREST INNER PLATE (RIGHT)	\$24
6	PH-03549	(SS) FOOTREST INNER PLATE (BARIATRIC)	\$24
7	PH-03246	(SS) FOOTREST OUTER PLATE (LEFT)	\$26
7	PH-03299	(SS) FOOTREST OUTER PLATE (RIGHT)	\$24
7	PH-03548	(SS) FOOTREST OUTER PLATE (BARIATRIC)	\$26
8	PH-03297	PUSH BUTTON	\$16
9	ST-03018	NYLON FLAT WASHER 1/4"	\$2
10	ST-02494	PLASTIC FLAT WASHER	\$2
11	ST-50119	BHCS M6 X 1.0 X 30 SS	\$2
12	ST-50479	FHCS M5 X 12MM SS	\$2
13	ST-51194	SBCS SS M6X20 M5X0.8	\$24
14	ST-52801	SNAP BUTTON D-DUAL TYPE STAINLESS STEEL	\$6
15	ST-52804	TRUSS SCREW 10-24 X 3/8 STAINLESS STEEL PHILIPS	\$2

Mediclean

LEGREST SUPPORT

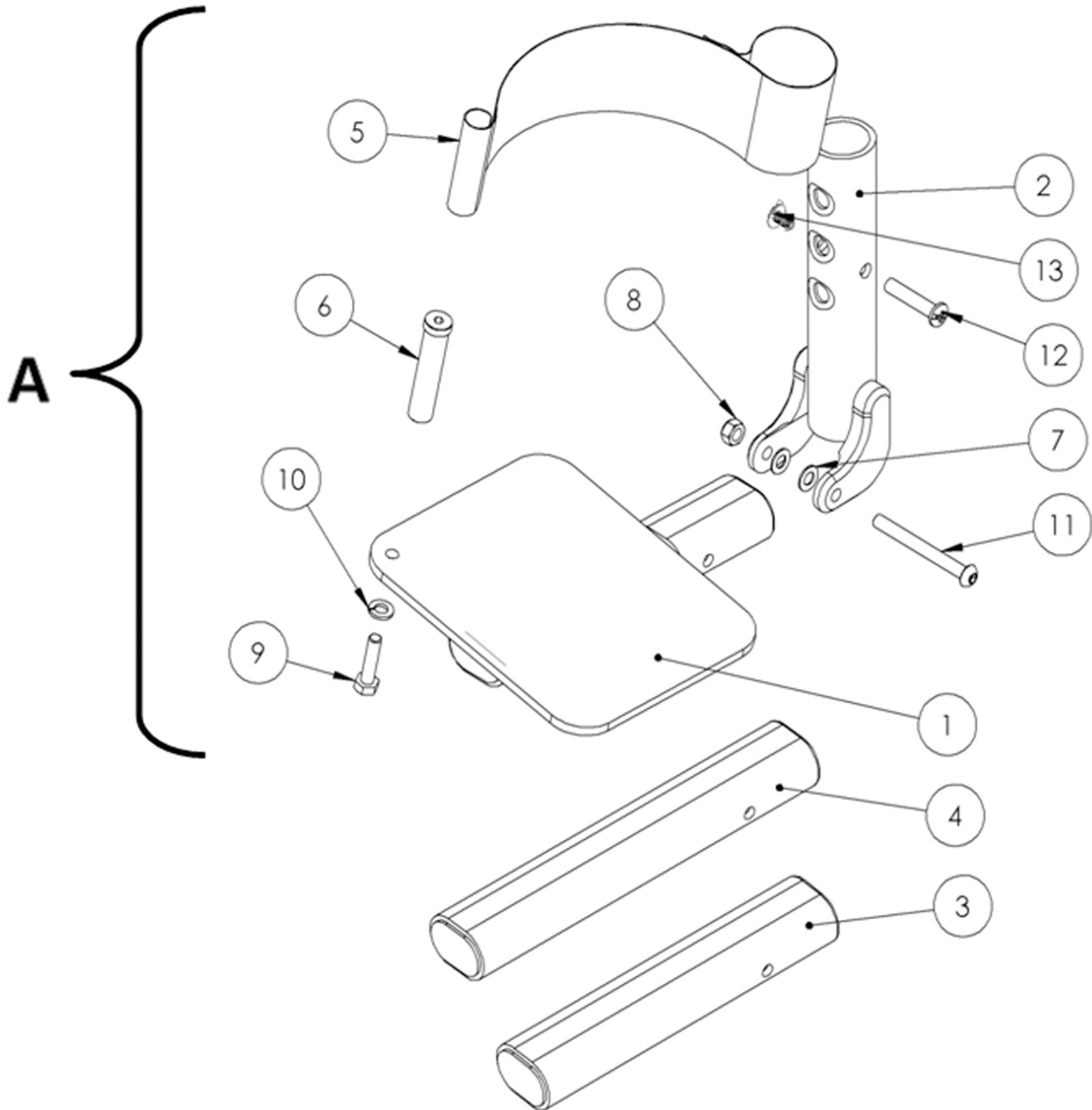


Mediclean
FOOTPLATE

NO.	DRWG. NO.	DESCRIPTION	MSRP
A	11-00017	FOOTREST PLATE <LEFT>	\$210
A	11-00018	FOOTREST PLATE <RIGHT>	\$210
A	11-00019	BARIATRIC FOOTREST PLATE <LEFT>	\$212
A	11-00020	BARIATRIC FOOTREST PLATE <RIGHT>	\$212
A	11-00021	FOOTREST ROD <LEFT>	\$132
A	11-00022	FOOTREST ROD <RIGHT>	\$132
A	11-00023	BARIATRIC FOOTREST ROD <LEFT>	\$138
A	11-00024	BARIATRIC FOOTREST ROD <RIGHT>	\$138

NO.	DRWG. NO.	DESCRIPTION	MSRP
1	PH-03064GA	5 X 6 FOOTREST SUPP. W. ASS (LEFT)	\$88
1	PH-03064DR	5 X 6 FOOTREST SUPP. W. ASS (RIGHT)	\$88
1	PH-03673GA	6 X 6 FOOTREST SUPP. W. ASS (LEFT)	\$90
1	PH-03673DR	6 X 6 FOOTREST SUPP. W. ASS (RIGHT)	\$90
2	PH-03227	FOOTREST SUPP. LOWER W.ASS	\$96
3	PH-03231	ROD. FOOTREST SUPP. W. ASS	\$22
4	PH-03554	ROD. FEETREST SUPP. W. ASS (BAR)	\$30
5	PH-03669GA	HEEL LOOP BLUE (MEDICLEAN) LEFT	\$14
5	PH-03669DR	HEEL LOOP BLUE (MEDICLEAN) RIGHT	\$14
5	PH-03670GA	HEEL LOOP RED (MEDICLEAN) LEFT	\$14
5	PH-03670DR	HEEL LOOP RED (MEDICLEAN) RIGHT	\$14
6	ST-02539	HEEL LOOP ANCHOR	\$4
7	ST-03018	NYLON FLAT WASHER 1/4"	\$2
8	ST-50278	NYLON LOCK NUT M6 X 1.0 SS	\$2
9	ST-50920	HHCS SS M6X1.0 X 25	\$2
10	ST-51066	RPE SS Ø6MM	\$2
11	ST-51986	BHCS M6 X 1.0 X 60 SS	\$2
12	ST-52798	STAINLESS STEEL BINDING POST 1/4" DIA. X 1-1/4"	\$10
13	ST-52804	TRUSS SCREW 10-24 X 3/8 STAINLESS STEEL PHILIPS	\$2

Mediclean
FOOTPLATE

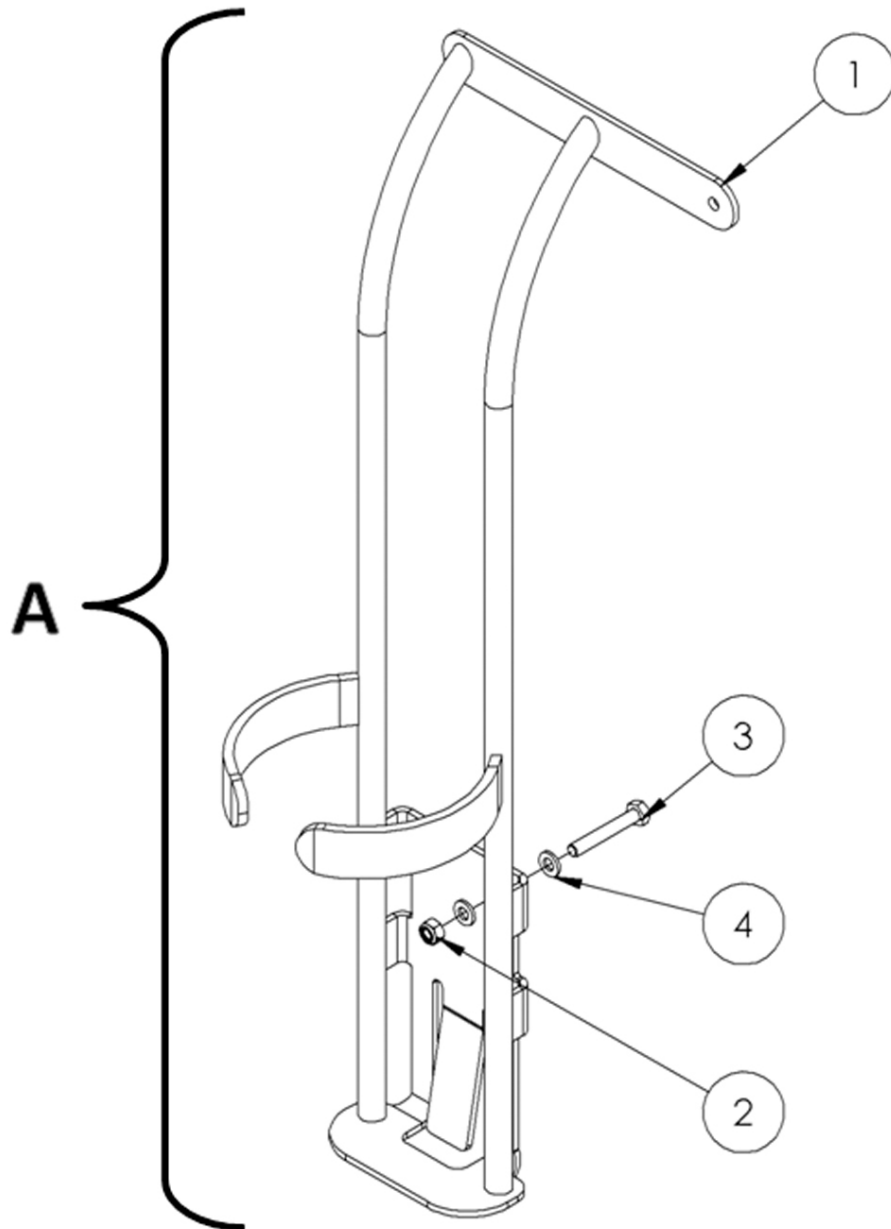


Mediclean

BOTTLE SUPPORT

NO.	DRWG. NO.	DESCRIPTION	MSRP
A	17-00001	BOTTLE SUPPORT	\$180

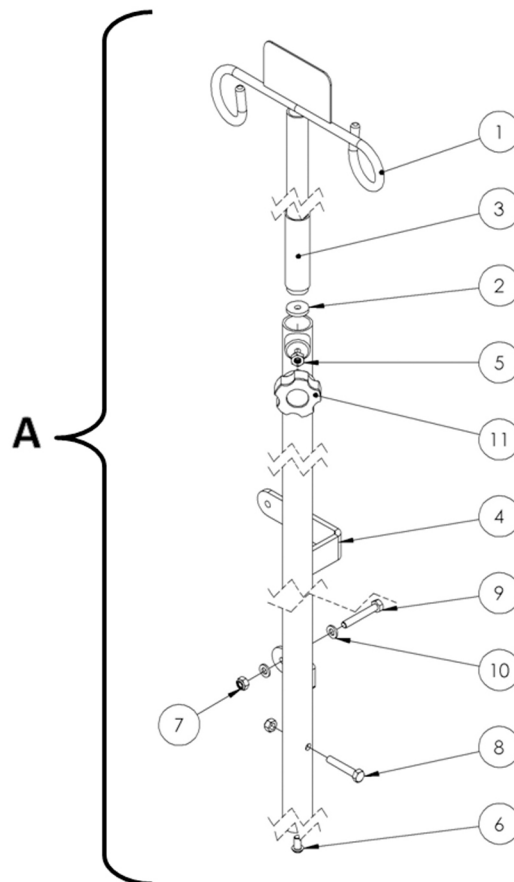
NO.	DRWG. NO.	DESCRIPTION	MSRP
1	PH-03270	BOTTLE SUPPORT	\$178
2	ST-50278	NYLON NUT M6 X 1.0 SS	\$2
3	ST-50922	HEX M6 X 40MM SST	\$2
4	ST-51066	FLAT WASHER M6 SS	\$2



Mediclean SOLUTE ROD

NO.	DRWG. NO.	DESCRIPTION	MSRP
A	18-00001	SOLUTE ROD	\$267
A	18-00002	BARIATRIC SOLUTE ROD	\$290

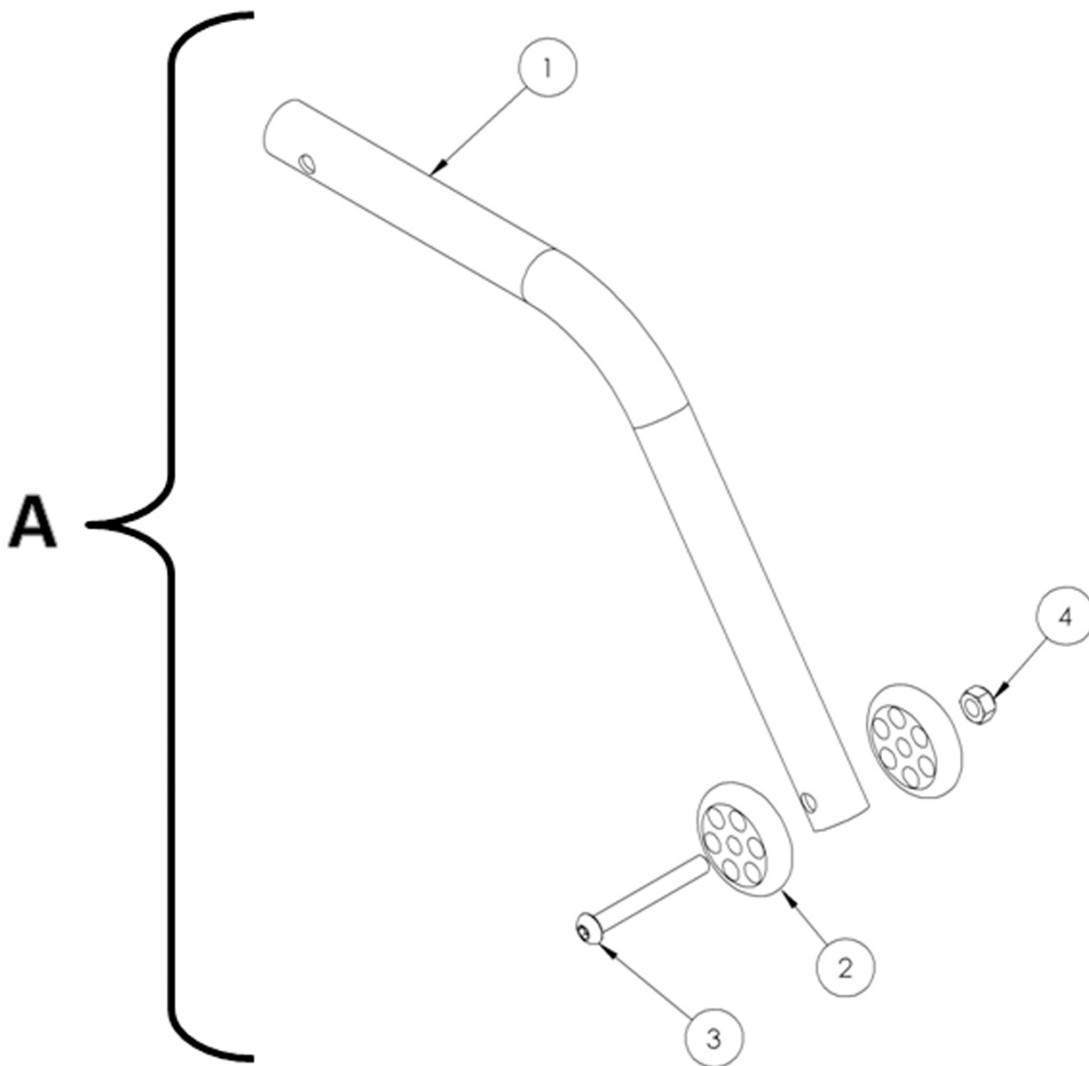
NO.	DRWG. NO.	DESCRIPTION	MSRP
1	PH-03261	UPPER SOLUTE ROB W.ASS.	\$96
2	PH-03263	SOLUTE ROD GUIDE PLATE	\$12
3	PH-03266	SLEEVE (SOLUTE ROD)	\$1
4	PH-03259	WELD. ASS. SOLUTE ROD	\$150
4	PH-03579	WELD. ASS. SOLUTE ROD (BAR)	\$172
5	ST-00326	HALF NYLON LOCK NUT 1/4-20 SS	\$2
6	ST-50113	BHCS M6 X 1.0 X 12 SS	\$2
7	ST-50278	NYLON LOCK NUT M6 X 1.0 SS	\$2
8	ST-50921	HHCS SS M6X1.0X35	\$2
9	ST-50922	HEX M6 X 40MM SST	\$2
10	ST-51066	FLAT WASHER M6 SS	\$2
11	VR9941	HAND KNOB 1/4-20 X 3/4"	\$4



Mediclean
ANTI-TIP

NO.	DRWG. NO.	DESCRIPTION	MSRP
A	06-00010	ANTI TIP <RIGHT>	\$34
A	06-00011	ANTI TIP <LEFT>	\$34
A	06-00012	BARIATRIC ANTI TIP <RIGHT>	\$36
A	06-00013	BARIATRIC ANTI TIP <LEFT>	\$36

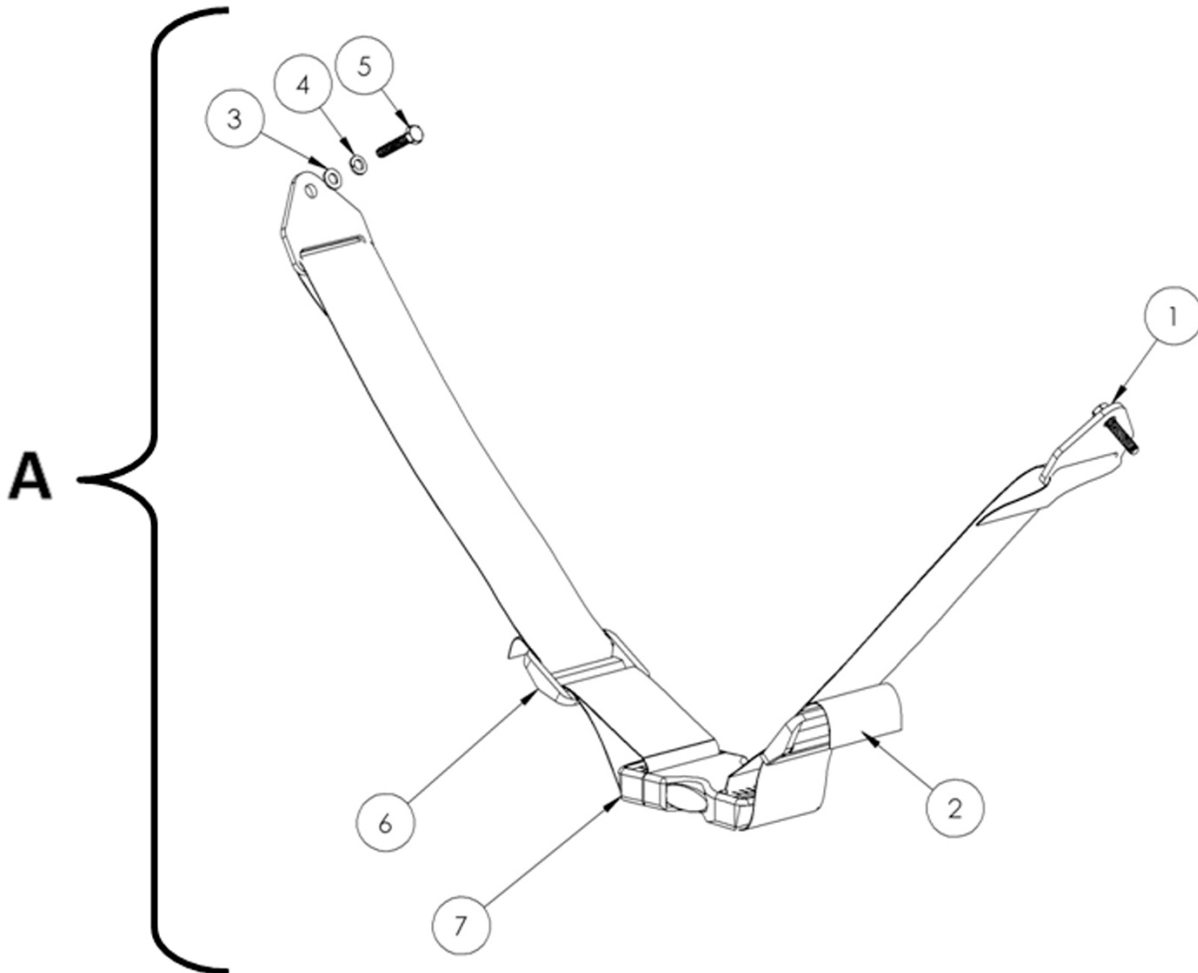
NO.	DRWG. NO.	DESCRIPTION	MSRP
1	PH-03303	TUBE	\$20
2	ST-02538	PLASTIC WHEEL 1 1/2"	\$6
3	ST-50122	BHCS M6 X 1.0 X 45 SS	\$2
4	ST-50278	NYLON NUT M6 X 1.0 SS	\$2



Mediclean BELT

NO.	DRWG. NO.	DESCRIPTION	MSRP
A	22-00001	BELT	\$56
A	22-00002	BARIATRIC BELT	\$58

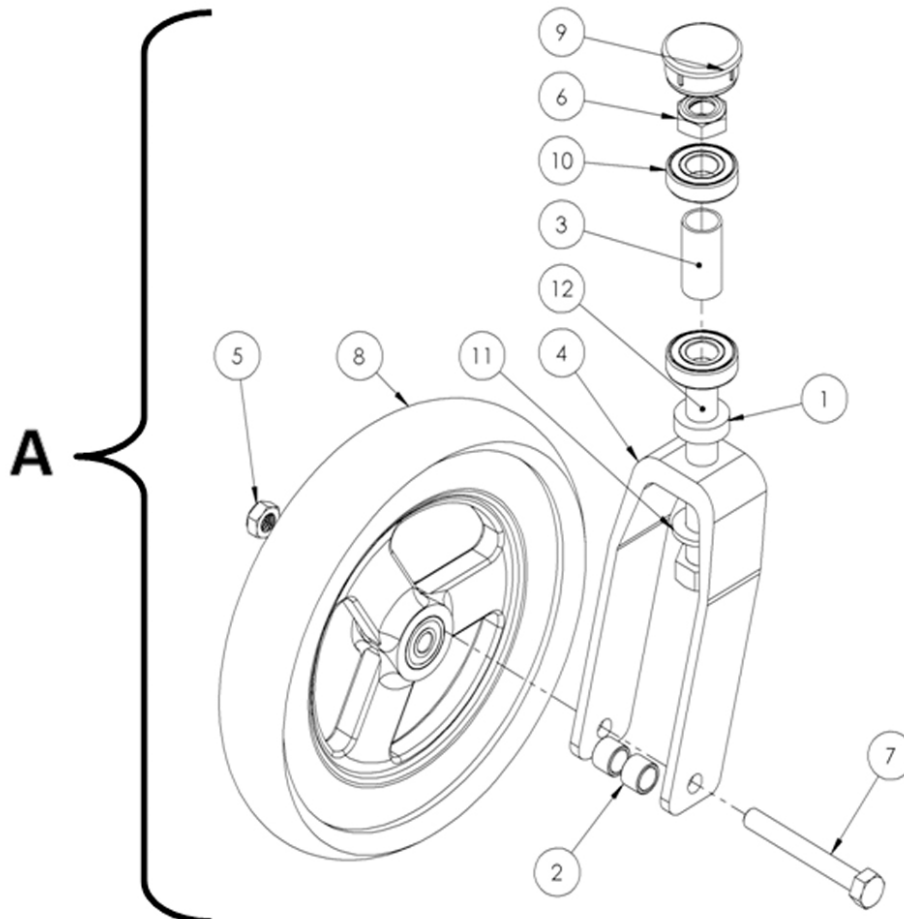
NO.	DRWG. NO.	DESCRIPTION	MSRP
1	PH-03215	BELT PLATE ANCHOR	\$10
2	PH-03338	WAIST BELT	\$14
2	PH-03674	WAIST BELT BARIATRIC	\$14
3	ST-51065	FLAT WAHSER M5 SS	\$2
4	ST-51828	RPE SS Ø5MM (LOCK WASHER)	\$2
5	ST-52806	HHCS SS 10-24 X 1" FULL TREAD #933	\$2
6	VR9830	PLASTIC GLIDE BUCKLE 2" ENNIS 2295	\$2
7	VR9705	BELT BUCKLE 2"	\$6



Mediclean

FRONT WHEEL

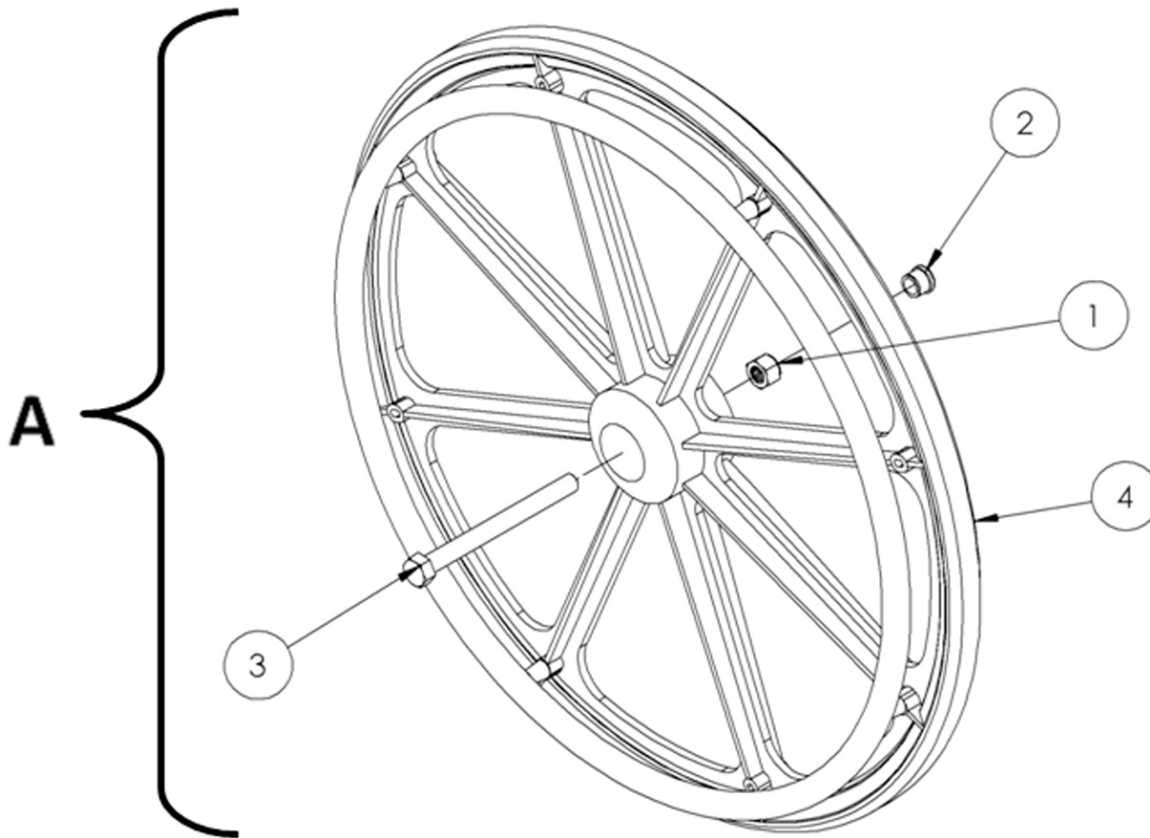
NO.	DRWG. NO.	DESCRIPTION	MSRP
A	04-00012	FRONT WHEEL ASSEMBLY	\$186
NO.	DRWG. NO.	DESCRIPTION	MSRP
1	PH-02405	FRONT WHEEL SPACER	\$6
2	PH-03276	WHEEL AXLE SPACER	\$6
3	PH-01461	BEARING SPACER	\$12
4	PH-03278	FORK	\$56
5	ST-00327	ECAHF SS Ø5/16-18	\$2
6	ST-00331	ECAHF SS Ø1/2-20	\$2
7	ST-01346	HHCS SS Ø5/16-18 X 2-1/2	\$2
8	ST-02846	WHEEL 8" WIDE POLY 3 SPK ASS. (1-1/2")	\$80
9	ST-02700	STANDARD DUTY POLYETHYLENE ANGLE-PLAT Ø1-1/4	\$2
10	ST-02918	ROULEMENT À BILLES OD Ø1-1/8" X ID Ø1/2	\$8
11	ST-51070	RDIN SS Ø12MM	\$2
12	ST-52807	HHCS SS 1/2-20 X 3-1/4" PARTIAL TREAD # 931	\$8



Mediclean REAR WHEEL

NO.	DRWG. NO.	DESCRIPTION	MSRP
A	04-00013	REAR WHEEL ASSEMBLY	\$220

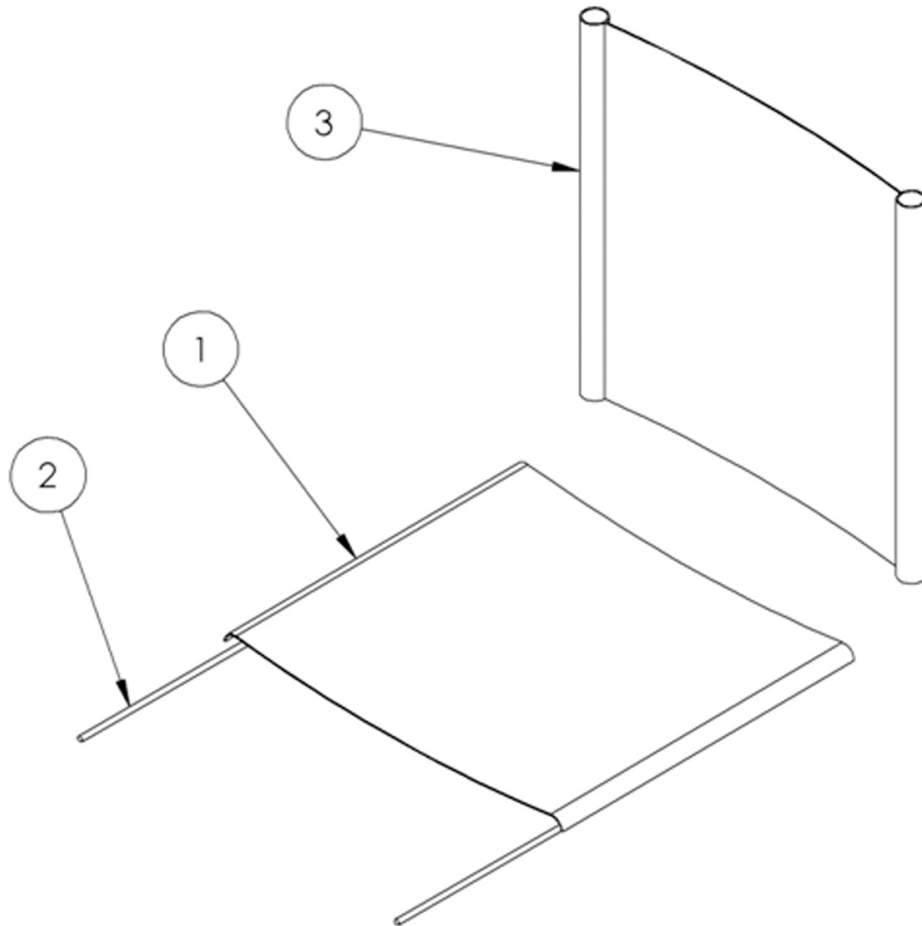
NO.	DRWG. NO.	DESCRIPTION	MSRP
1	ST-00293	ECA ZI Ø1/2-13	\$2
2	ST-03086	PLUG 3/4 BLACK	\$2
3	ST-51980	HHCS SS 1-1/2-13 X 5.5"	\$8
4	ST-52796	PYRAMID TIRE, SST HOOPS 24" MAG ROUE	\$210



Mediclean

CLOTH & RETAINING ROD

NO.	DRWG. NO.	DESCRIPTION	MSRP
1	PH-03295	SEAT COVER	\$92
1	PH-03682	SEAT COVER (BAR.)	\$146
2	PH-03316	SEAT COVER RETAINING ROD	\$4
3	PH-03806	ASS. CANVAS + EYELETS / WASHER	\$112
3	PH-03807	ASS. CANVAS + EYELETS / WASHER (BAR.)	\$150



Physipro Inc.

370, 10e Avenue Sud
Sherbrooke (Quebec) J1G 2R7

Phone 819 823-2252
Toll Free 1 800 668-2252
Fax 819 565-3337

Email : info@physipro.com
Order : order@physipro.com



www.physipro.com